

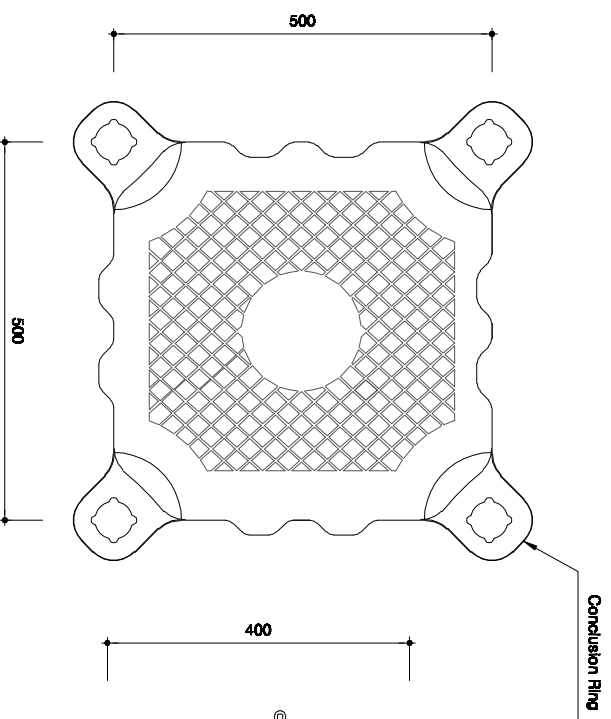
CUBE DETAIL

S=1:10

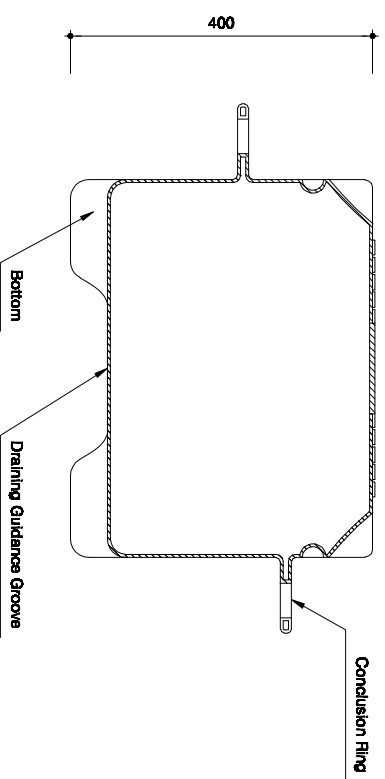
DETAIL A

S=1:10

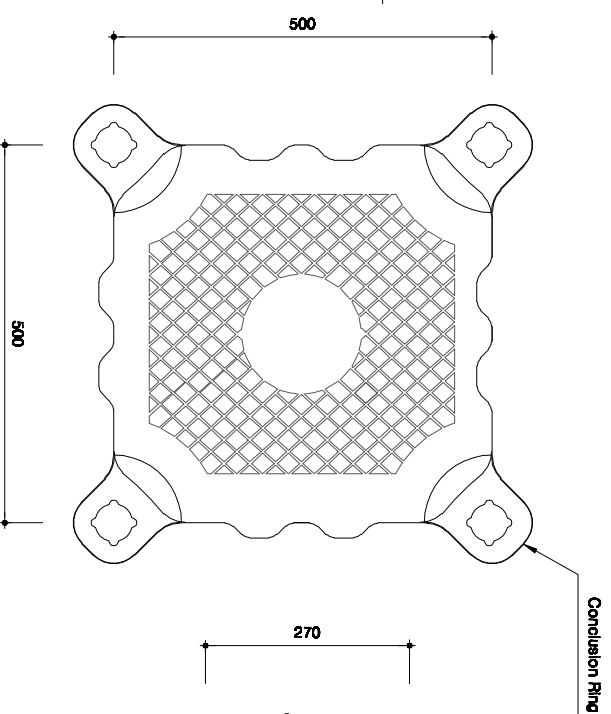
FLOOR PLAN



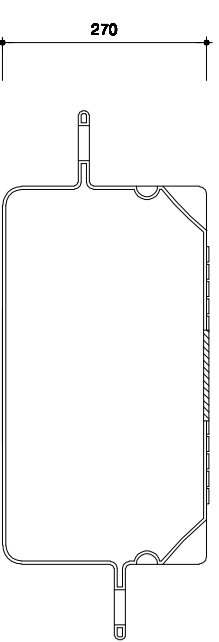
FRONT VIEW



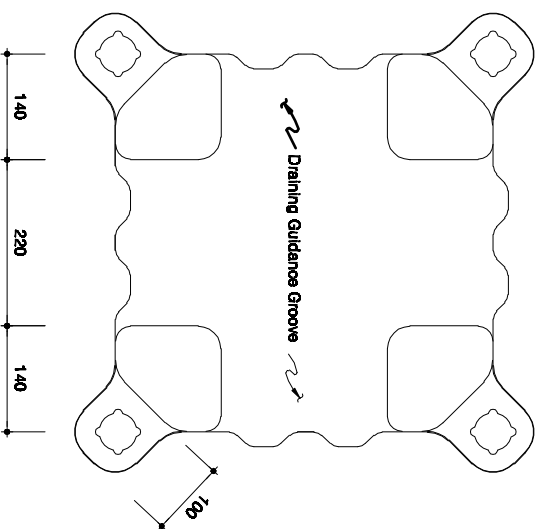
FLOOR PLAN



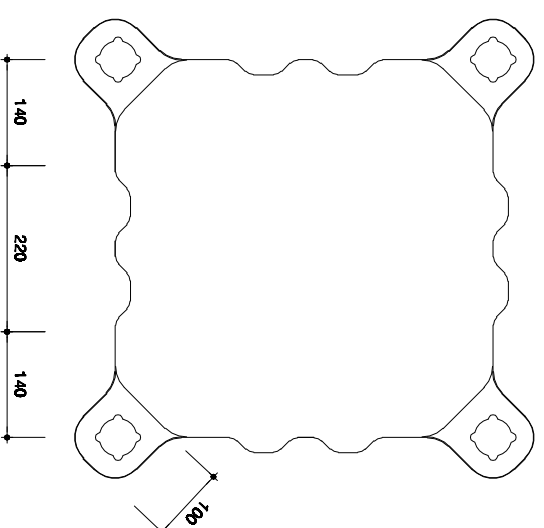
FRONT VIEW



REAR VIEW



REAR VIEW



FLOATING PIERS		SERVICE COMPANY		SCALE		DATE		TASK PARTICIPANT		DESIGNER		DRAWING NAME		DRAWING NO.	
				S=1:10		2010. 1		TASK RESPONSIBLE PERSON		HEAD RESPONSIBLE PERSON		CUBE DETAIL		OF 002	